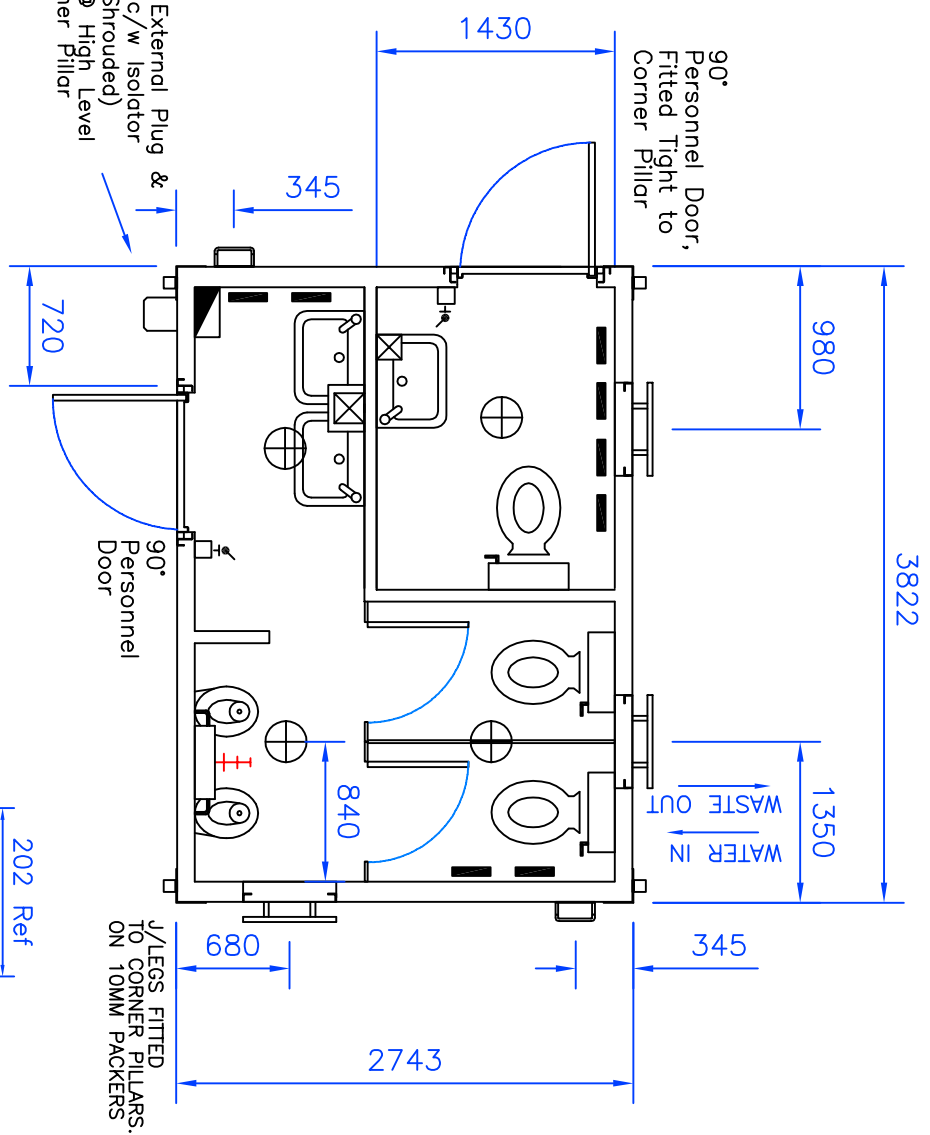
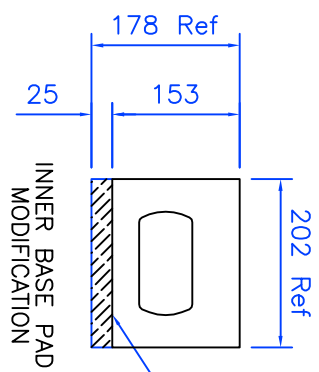


**FLAT SIDED CONSTRUCTION**

**\*PLEASE NOTE\***  
USE 8' CORNER PILLARS



LINED USING EGB2001 & INSULATED,  
WHITE PLASTIC TRIM FITTED THROUGHOUT,  
MONO WHITE CEILING PANELS,  
'POLYFLOR' FLOORING.



**KEY TO SYMBOLS**

	Consumer Unit
	2' Tube Heater + Guard
	4' Tube Heater + Guard
	Fused Spur & Thermostat
	Bulkhead Light
	Light Pullswitch
	3kw Instant Water Heater
	2kw 5ltr Water Storage Heater

**\*PLEASE NOTE\***  
FIT ROOF STRENGTHENERS,  
SPACED EQUALLY THROUGHOUT UNIT.  
COLOUR SPEC: 18 C 39  
UNLESS OTHERWISE STATED

FIT LADDER ACCESS POINTS-  
SEE DWG. NO'S. 10-501 & 10-502  
(EAGLE PLANT MANUFACTURING FOLDER)

**APPROVAL BOX**

Customer:  
Signature:  
Name:  
Date:

ISSUE	DATE	DESCRIPTION
1	29/01/07	FIRST ISSUE

**TITLE**  
Eagle Plant 12'x9'  
2+1 Toilet Block

**LYDNEY CONTAINERS**  
01594 842 378

DRAWN	JT	DATE	29/01/07	DRG. No.	EAG_TO1209V05
APPROVED		DATE			Standard 2007
CHECKED		DATE			